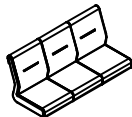

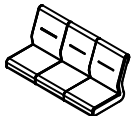

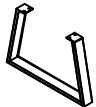


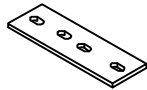
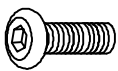
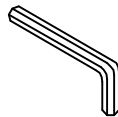


Thank you for purchasing this quality product. Be sure to check all packing material carefully, small parts may have come loose inside the carton during shipment.

PARTS LIST:

NO.	DESCRIPTION	SIZE(mm)	SKETCH	QTY
A	3 SEATER	1480x620x550		1PC
B	MODULAR CORNER BACKREST(R)	620x150x550		1PC
C	3 SEATER	1450x620x550		1PC
D	MODULAR CORNER BACKREST(L)	620x150x550		1PC
E	LEG	560x60x340		3PCS

HARDWARE LIST:

NO.	DESCRIPTION	SIZE(mm)	SKETCH	QTY
a	METAL CONNECTOR	200x50		2PCS
b	BOLT	M8x25		20PCS
c	ALLEN KEY	5#		1PC

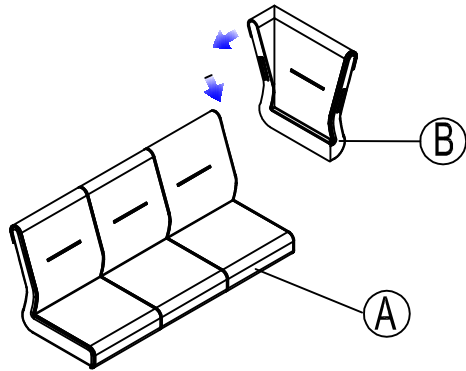


Chintaly Imports

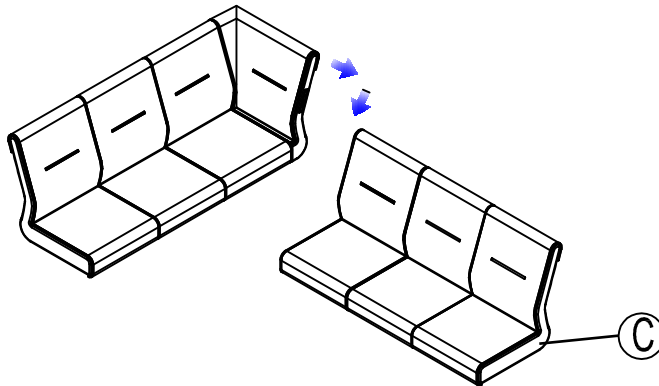
ASSEMBLY INSTRUCTION ITEM NO: KALINDA-NOOK

Thank you for purchasing this quality product. Be sure to check all packing material carefully, small parts may have come loose inside the carton during shipment.

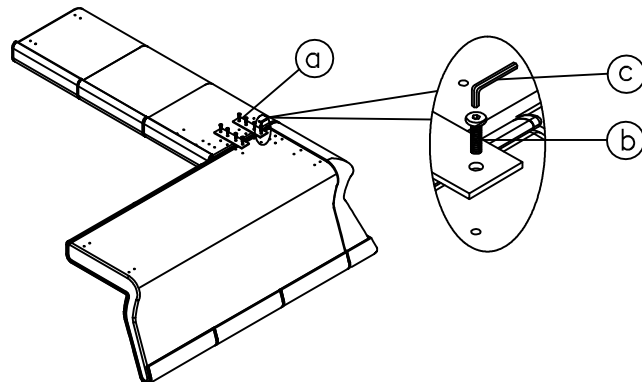
STEP 1



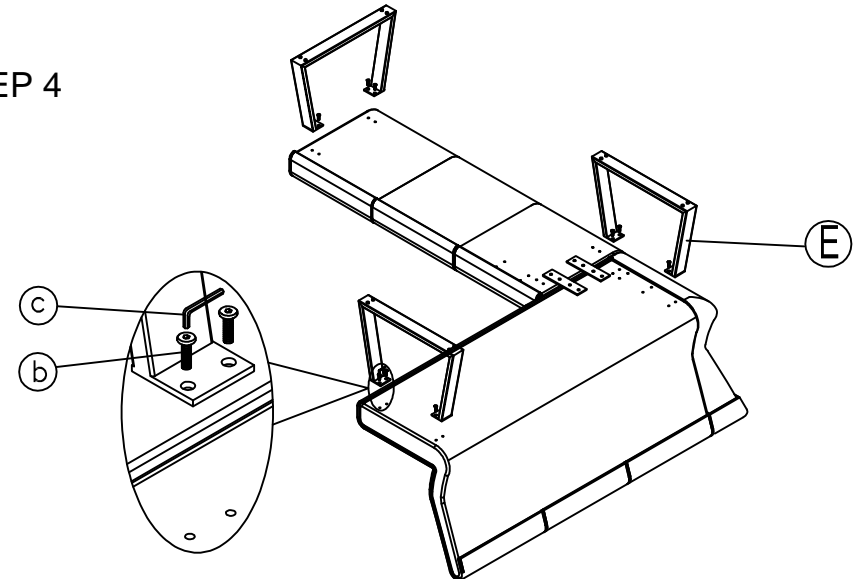
STEP 2



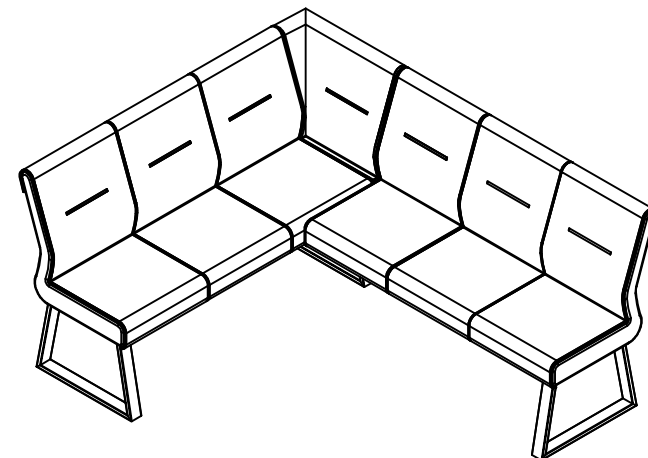
STEP 3



STEP 4



FINISH



KALINDA-NOOK(R)

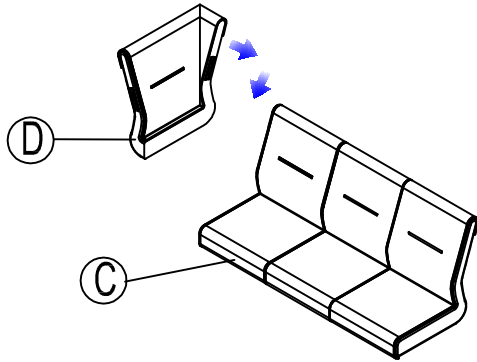


Chintaly Imports

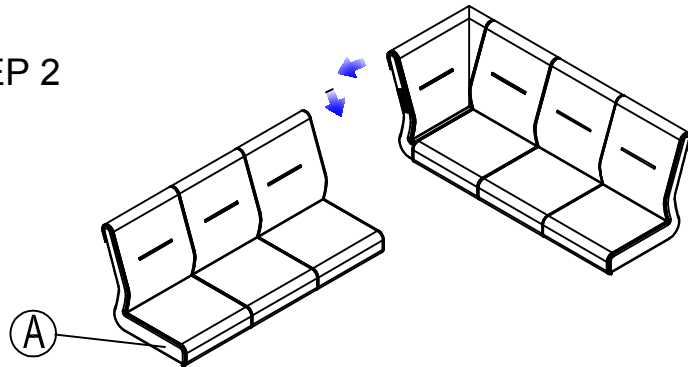
ASSEMBLY INSTRUCTION ITEM NO:KALINDA-NOOK

Thank you for purchasing this quality product. Be sure to check all packing material carefully, small parts may have come loose inside the carton during shipment.

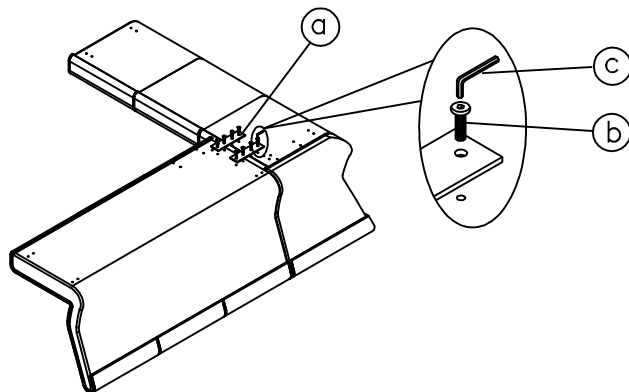
STEP 1



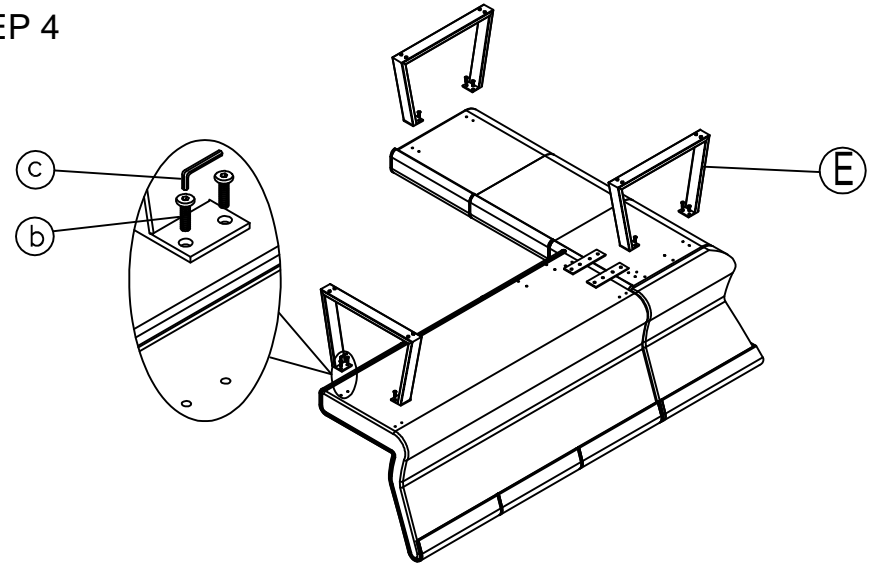
STEP 2



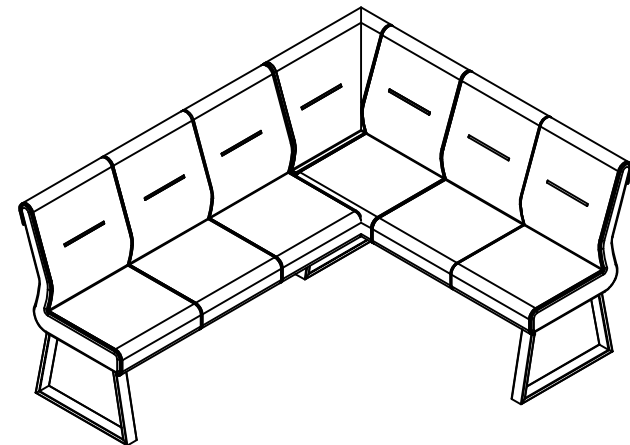
STEP 3



STEP 4



FINISH



KALINDA-NOOK(L)